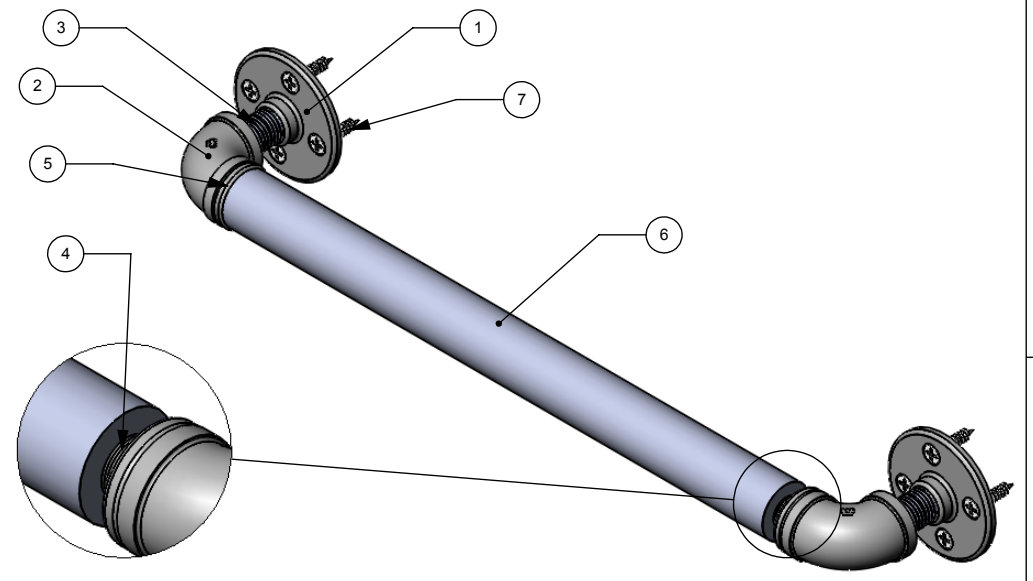
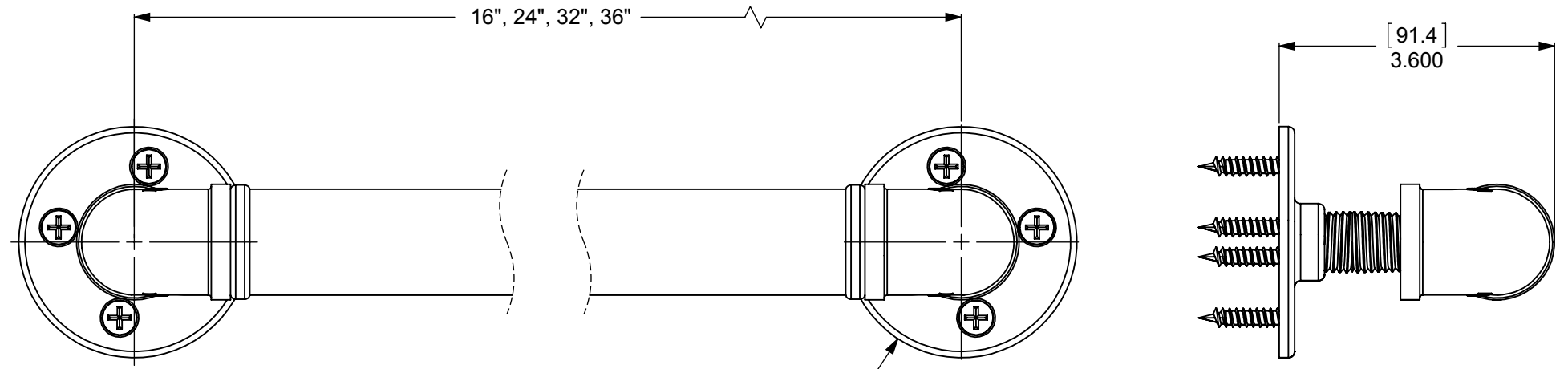


| ITEM NO. | PART NUMBER | DESCRIPTION | QTY. |
|----------|---------------|--------------------|------|
| 1 | PIPE-FL34-3 | 3/4" FLANGE | 2 |
| 2 | PIPE-EL34-90 | 3/4" 90 DEG. ELBOW | 2 |
| 3 | PIPE-NIP34-CL | 3/4" CLOSE NIP | 2 |
| 4 | BUS-34X18 | 3/4" BUSHING | 2 |
| 5 | CRRRD-1.38 | 1 3/8" CK RING | 2 |
| 6 | TU138 | TUBE | 1 |
| 7 | WOOD SCREW-12 | #12 WOOD SCREW | 8 |



DETAIL V



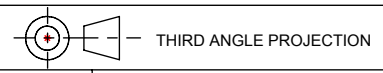
[76.2mm]
Ø 3.000in

APPROVED FOR PRODUCTION
BY: RICHARD PAUL
DATE: 6/7/2017

UNLESS OTHERWISE STATED

| | |
|------|---------|
| .X | ±.3mm |
| .XX | ±.15mm |
| .XXX | ±.008mm |

COPYRIGHT © Allied Brass 2017



| | | |
|----------|----------|-----|
| DRAWN | 6/7/2017 | I.M |
| CHECKED | 6/7/2017 | P.D |
| APPROVED | 6/7/2017 | R.A |

| | |
|--------------|------------------------------|
| MATERIAL: | BRASS |
| DESCRIPTION: | Pipeline Collection Grab Bar |
| | |

| | |
|-------------|-----|
| FINISH | TBD |
| QUANTITY | TBD |
| DRAWING No. | REV |
| P-700-GB | 0 |
| SCALE | 1:2 |
| SHEET: 01 | A4 |